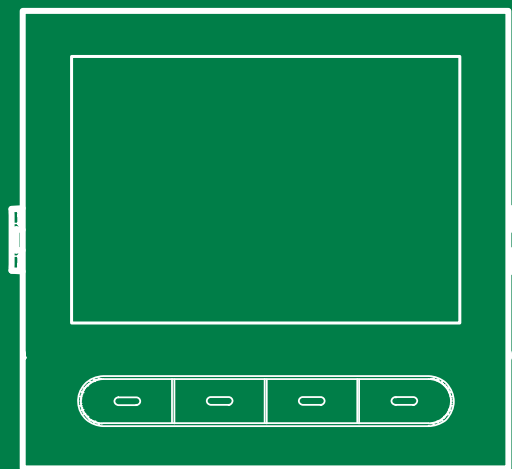


EN

TECHNICAL
MANUAL



Digital directory module with Ultra display
Art. UT9260M

 **Comelit**[®]
Passion. Technology. Design.

Warning

- This Comelit product was designed for use in the creation of audio and video communication systems in residential, commercial or industrial settings and in public buildings or buildings used by the public.
- All activities connected to the installation of Comelit products must be carried out by qualified technical personnel, with careful observation of the indications provided in the manuals / instruction sheets supplied with those products.
- Cut off the power supply before carrying out any maintenance procedures.
- Use wires with a cross-section suited to the distances involved, observing the instructions provided in the system manual.
- We advise against running the system wires through the same duct as the power cables (230V or higher).
- To ensure Comelit products are used safely: carefully observe the indications provided in the manuals / instruction sheets and make sure the system created using Comelit products has not been tampered with / damaged.
- Comelit products do not require maintenance aside from routine cleaning, which should be carried out in accordance with the indications provided in the manuals / instruction sheets. Any repair work must be carried out: for the products themselves, exclusively by **Comelit Group S.p.A.**, for systems, by qualified technical personnel.
- **Comelit Group S.p.A.** does not assume any responsibility for: any usage other than the intended use; non-observance of the indications and warnings contained in this manual / instruction sheet. **Comelit Group S.p.A.** nonetheless reserves the right to change the information provided in this manual / instruction sheet at any time and without prior notice.

Table of contents

Warning	2	Panic	13
Description.....	3	function	13
UT9260M	3	Panic	13
Technical specifications	4	key	13
2 modules.....	5	Maximum number of errors permitted.....	13
Flush-mounted installation	5	System type	13
Wall-mounted installation.....	6	Wiegand mode.....	14
Optional.....	6	Key press tone.....	14
3 modules.....	7	Relay 1 activation time (seconds) / Relay 2 activation time (seconds). 14	
Flush-mounted installation.....	7	Relay 1 tone activation time (seconds) / Relay 2 tone activation time (seconds).....	14
Optional.....	7	Clock input.....	14
Wall-mounted installation.....	8	Relay 2 functions.....	14
Optional.....	8	Program universal access code (6 digits).....	14
Module removal.....	9	Delete universal access code	14
Programming (without number keypad).....	10	Programming via ViP Manager software.....	15
Programming via directory module and via My Comelit app	10	Connections available for programming via ViP Manager	15
Select language.....	11	Searching for devices to configure	16
Manage Supercode.....	11	Populating the contacts list	16
Display.....	11	Using the electronic directory.....	17
Date and time	11	General search	17
Reset	11	Search by surname initial	17
Bluetooth.....	11	Multi-function key	18
Key press tone.....	11	Making a call.....	18
Information	11	Cancelling a call	18
System type	11	User busy	18
Number keypad connected.....	11	User not available	18
Managing names with the My Comelit app	12	Using the electronic directory in conjunction with number keypad art. UT9279M	20
Programming (in conjunction with number keypad art. UT9279M) 13		Standard call.....	20
Number of characters for access codes	13	Indirect/alphanumeric call	20
Access code entry	13	Key to icons	21
Access code validity (no. of times).....	13	Using access codes	21
Output activated by access code	13		
External actuator address	13		
Delete access code / Delete all access codes.....	13		
Button backlighting brightness	13		

Description

UT9260M

Digital directory module for Ultra entrance panel, compatible with all systems.

Bluetooth connection for managing names in the directory using the installer's MyComelit app.

Buttons for selecting the user and the call.

Option of customising a button for direct calls to the switchboard, commercial activities, activation of an opening or a light.

Features a 3.5" colour graphic display.

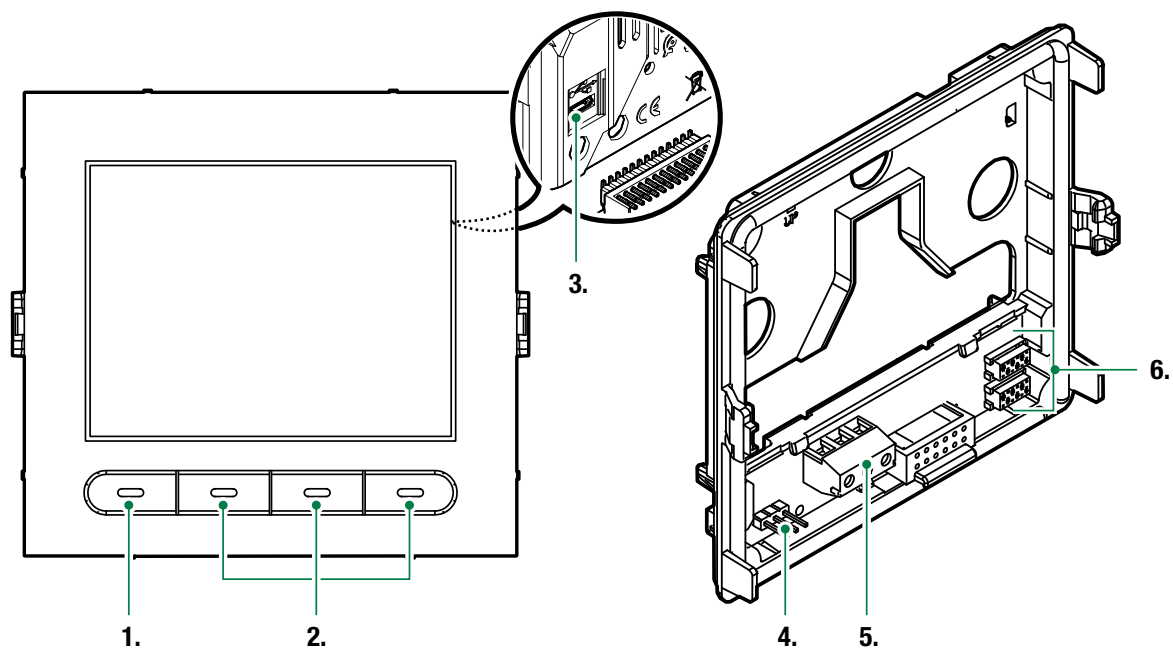
It can be paired with the number keypad module (**Rel. 1.1.0 or higher**) for calling the user directly when the code is known and for access control with the activation of audio or audio/video module outputs and system actuators.

Dimensions: 100x90x35 mm.



To make full use of the available functions, ALL modules making up the external entrance panel must be updated to the latest firmware version, which is available to download from the **pro.comelitgroup.com**

Use ViP Manager software to carry out the update. ViP Manager software is available to download from the website **pro.comelitgroup.com**



1. Programmable multi-function key

2. Multi-function keys

3. **Micro USB** for connection to the computer

4. **JP1** jumper for programming access

normal operation

programming mode active

5. Terminal block for connection:

D- D+ GND RS485 output connection

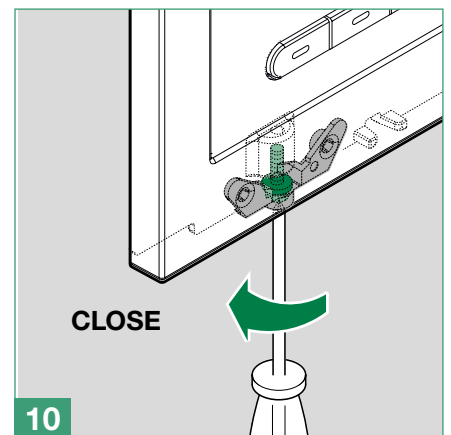
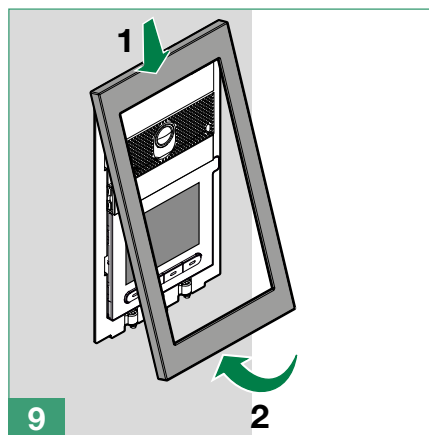
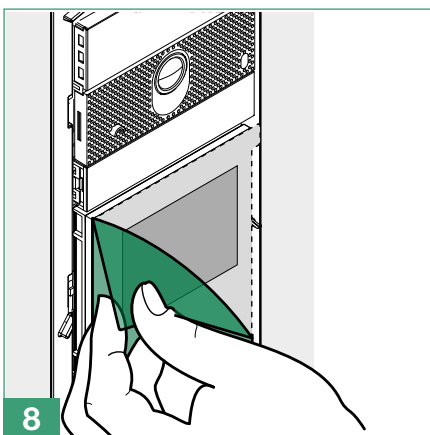
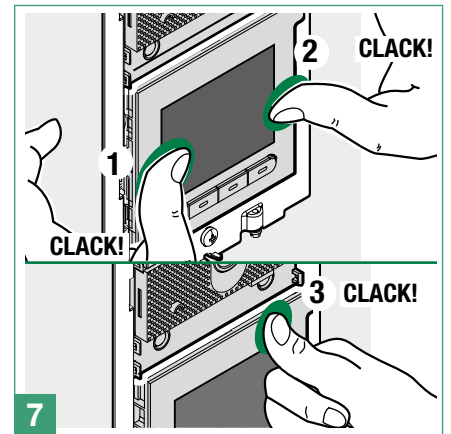
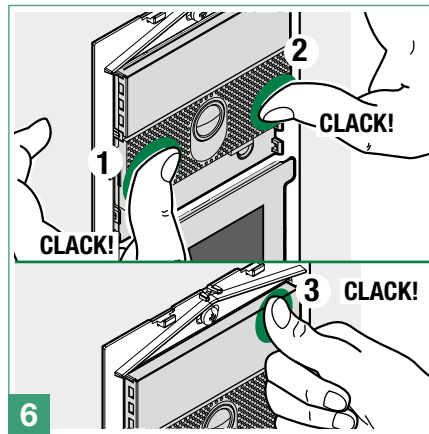
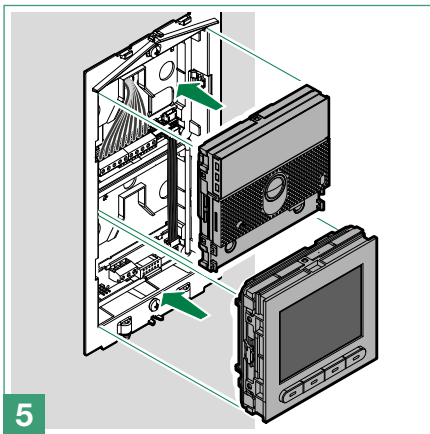
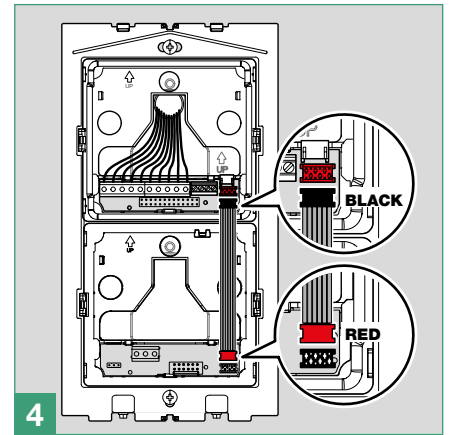
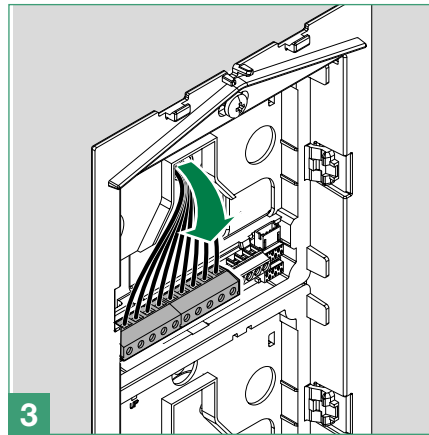
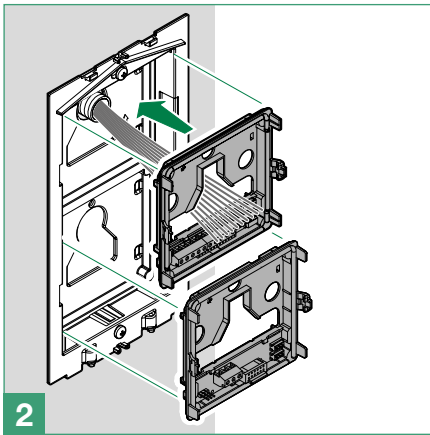
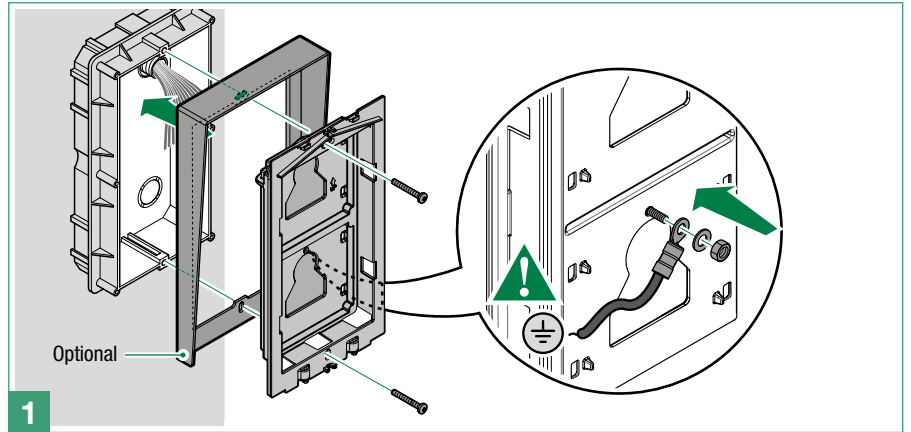
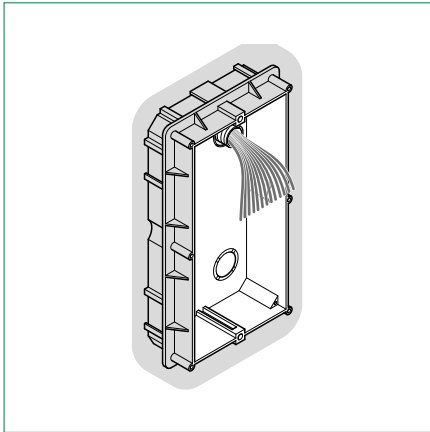
6. Connector for connecting previous/next modules

Technical specifications

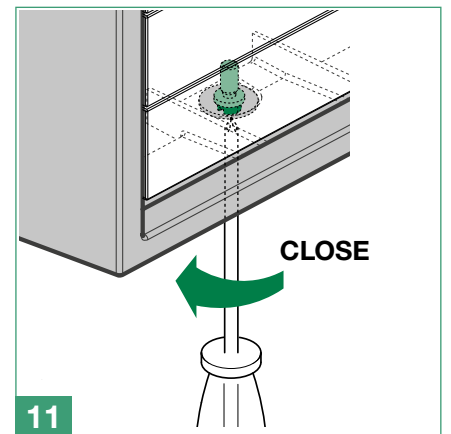
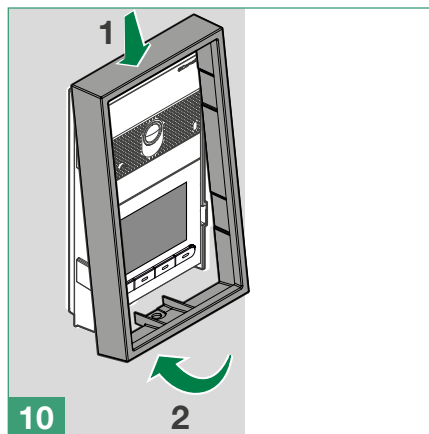
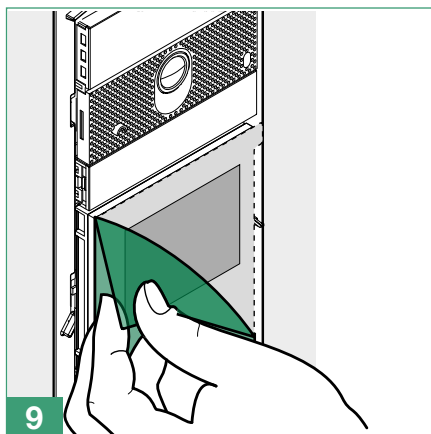
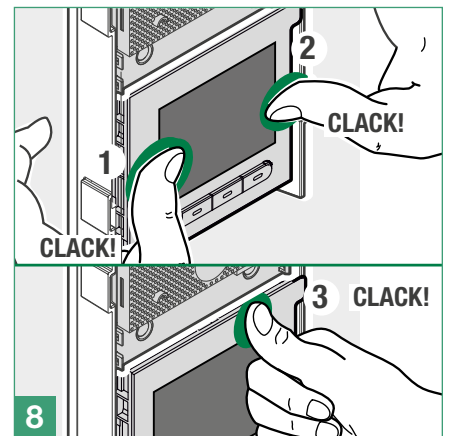
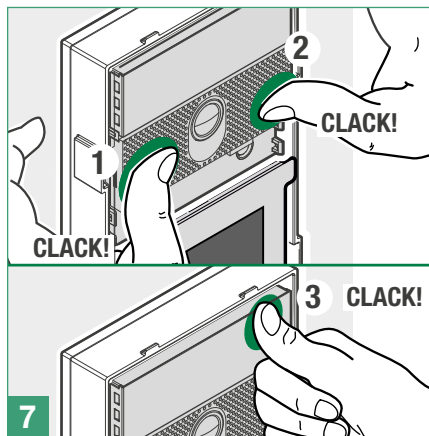
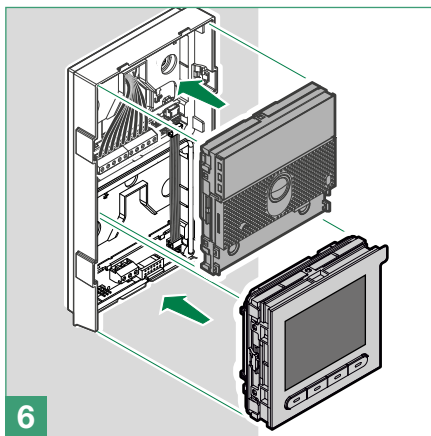
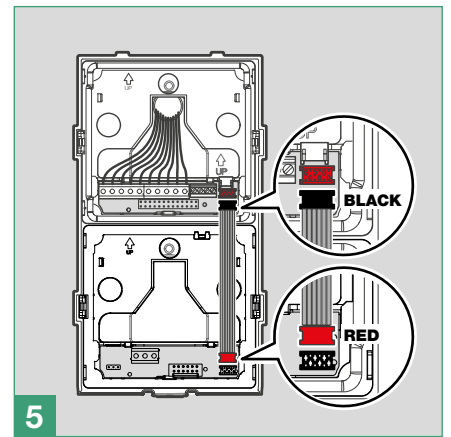
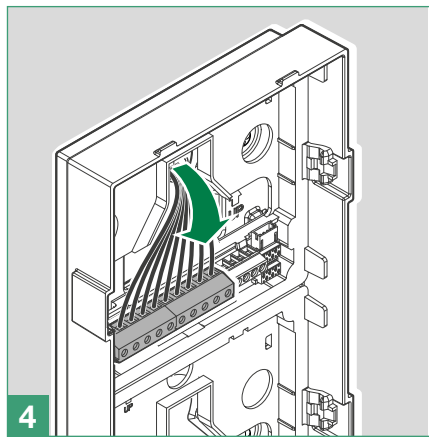
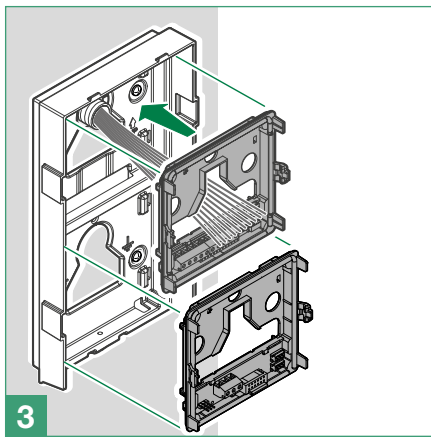
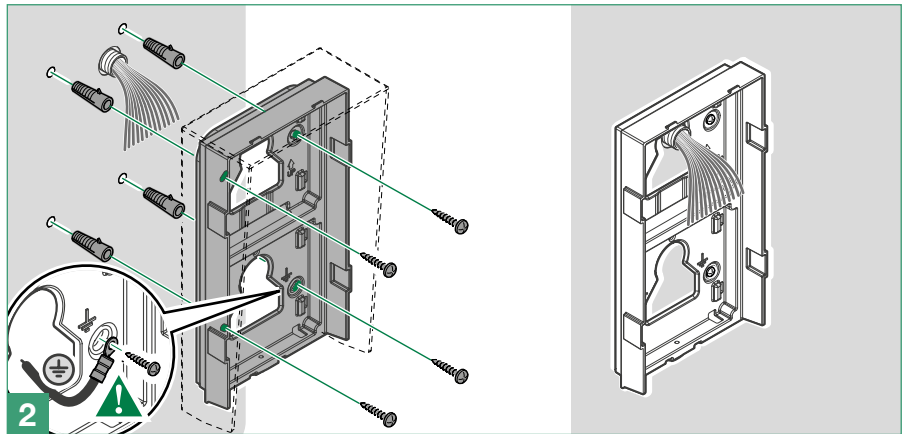
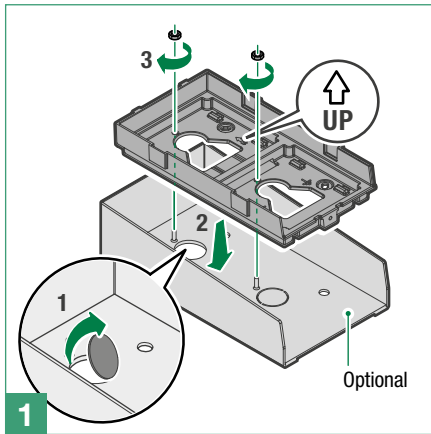
GENERAL DATA	
Type	Modular
Product height (mm)	90
Product width (mm)	100
Product depth (mm)	35
Product weight (g)	400
Coating material type	Polycarbonate
Product colour	Black RAL9005, Transparent
Flush mounting	Yes, with specific accessory
Surface mounting	Yes, with specific accessory
COMPATIBLE SYSTEMS	
Simplebus 2 audio/video with power supply unit art. 4888C	Yes
Simplebus 2 audio/video with power supply unit art. 1210/1210A	Yes
Simplebus 2 audio with power supply unit art. 1210/1210A	Yes
Simplebus 1 audio	Yes
ViP	Yes
DISPLAY SPECIFICATIONS	
Type of display	Graphic LCD
Display size (")	3.5
Resolution (pixel)	320x240
ELECTRICAL SPECIFICATIONS	
Type of power supply	Power supply via video entry bus
Power supply voltage	33 VDC
Absorption in standby (W)	1.3
Maximum absorption (W)	2
HARDWARE CHARACTERISTICS	
Call type	Digital
Number of buttons (no.)	4
Backlighting colour	Black
SETTINGS	
Display backlighting	Yes
Backlighting brightness	Yes
NETWORK AND COMMUNICATION PROTOCOL	
Bluetooth	Yes
PROGRAMMING MODE	
ViP Manager software	Yes
ENVIRONMENTAL AND CONFORMITY SPECIFICATIONS	
IP protection rating (when installed)	IP65
IK anti-vandal protection rating	IK08
Operating temperature (°C)	-25 to 55
Operating humidity (max RH - %)	25 to 95
Environmental class	IV
CE certification	RoHS II - 2011/65/EU (EN 50581:2012), EMC 2014/30/EU (EN 61000-6-1:2007, EN 61000-6-3:2007+A1:2011)
MAIN FUNCTIONS	
No. of users that can be stored	1500
System status visual indications	Yes
Customisable welcome message	Yes
Customisable screensaver	Yes

2 modules

Flush-mounted installation

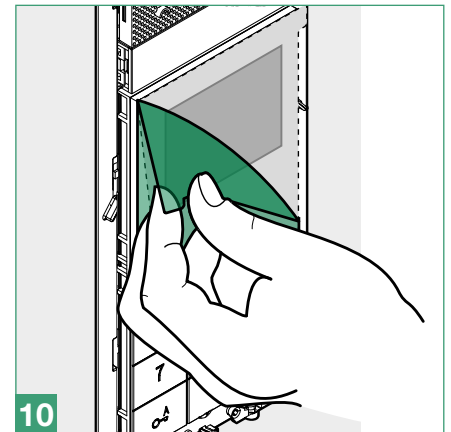
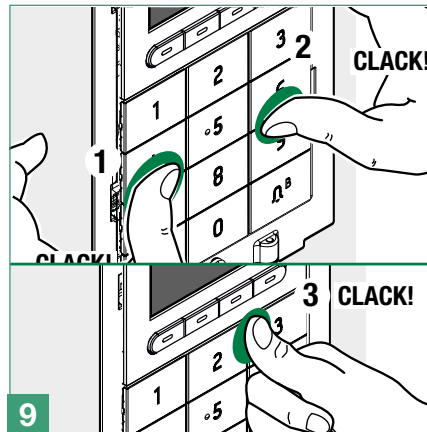
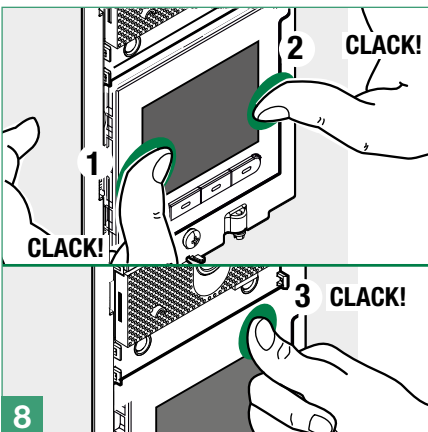
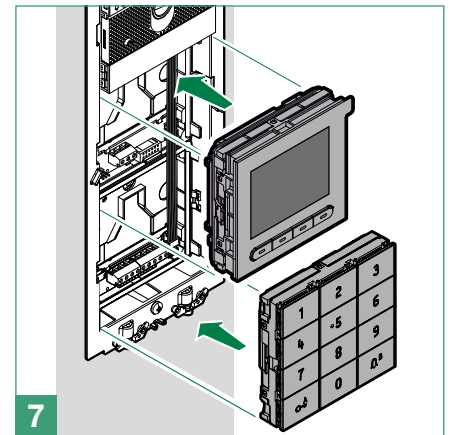
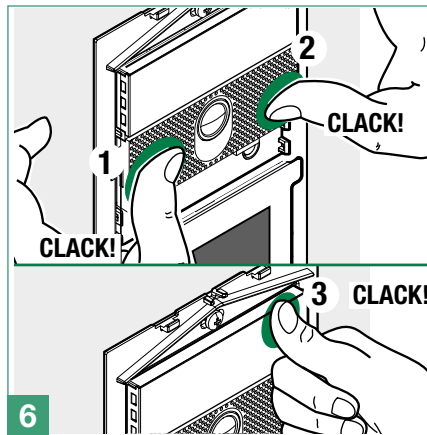
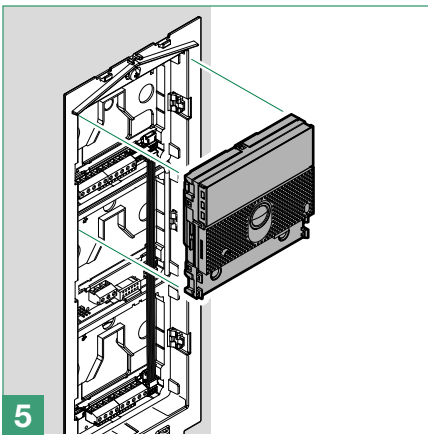
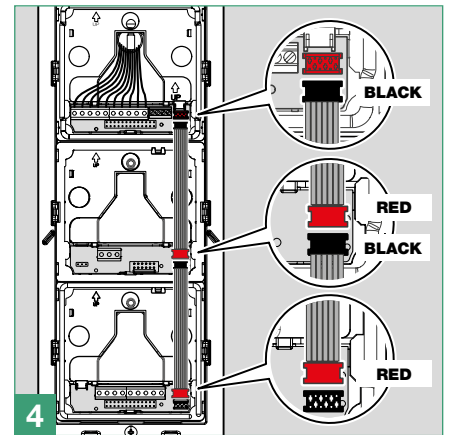
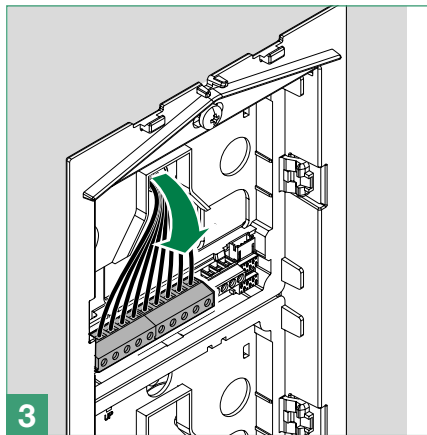
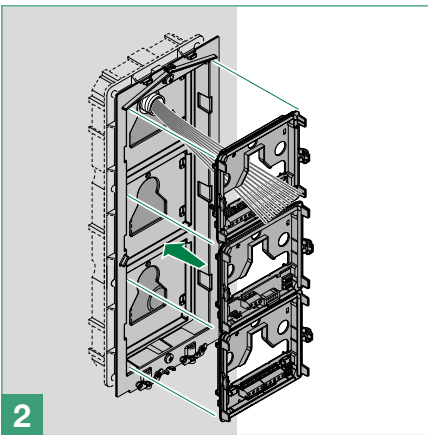
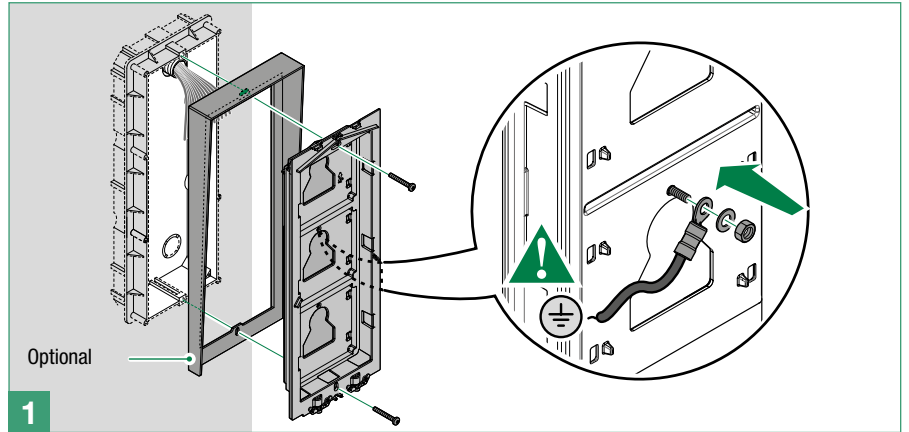
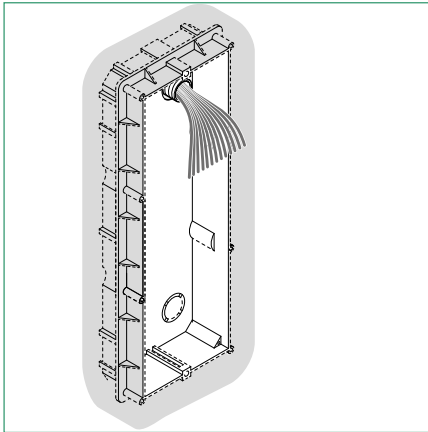


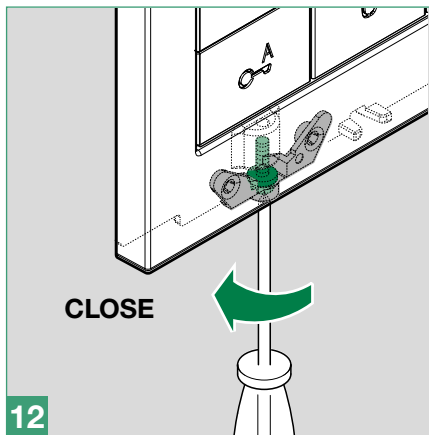
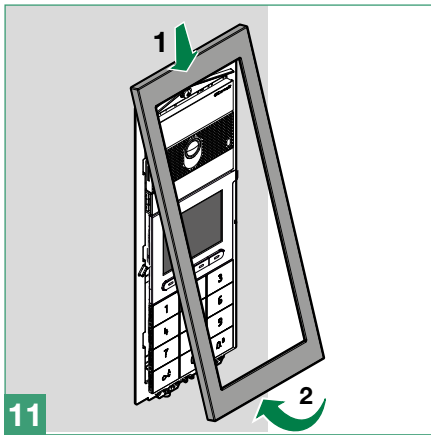
Wall-mounted installation



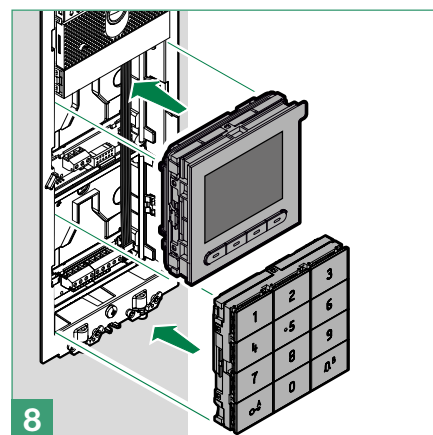
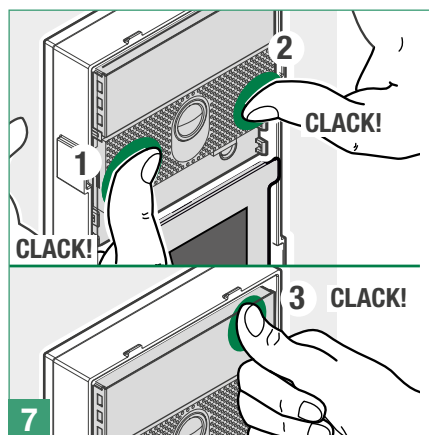
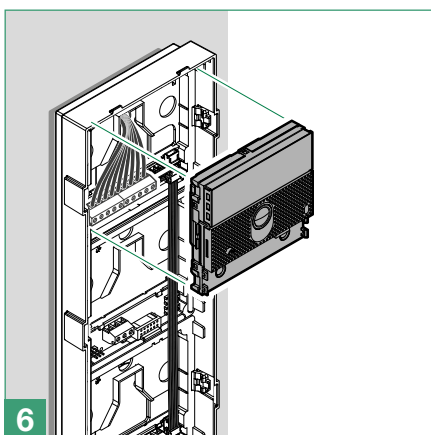
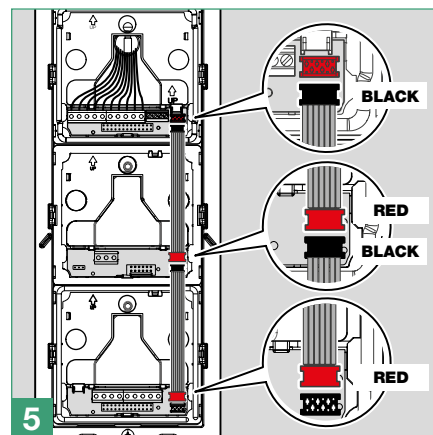
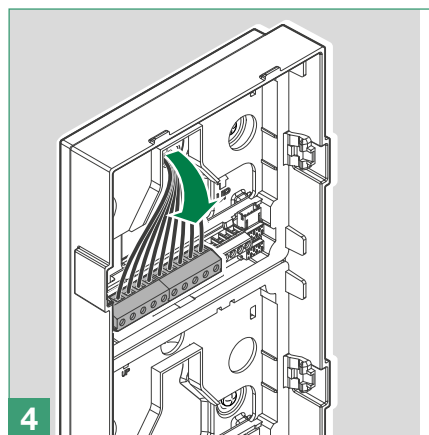
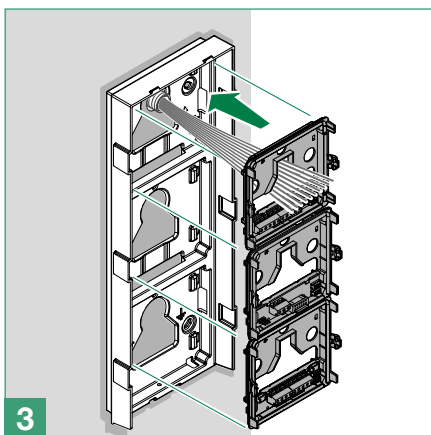
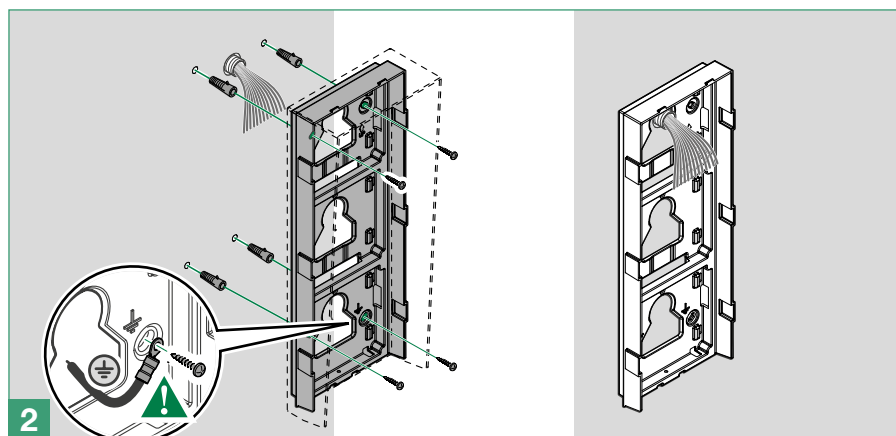
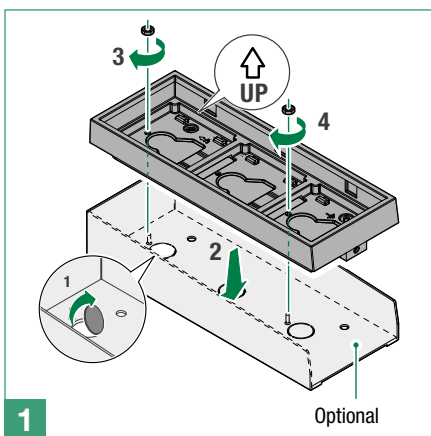
3 modules

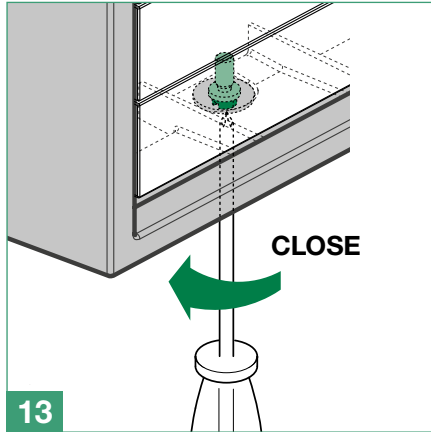
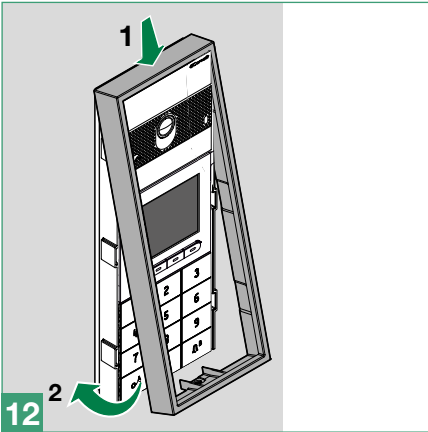
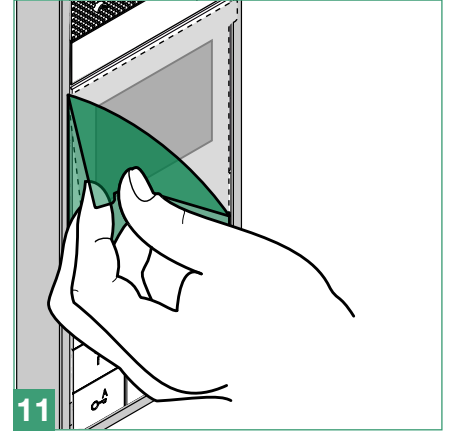
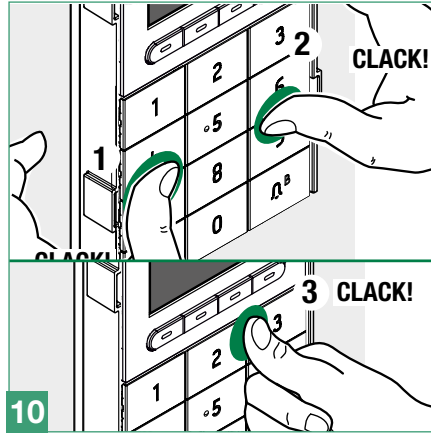
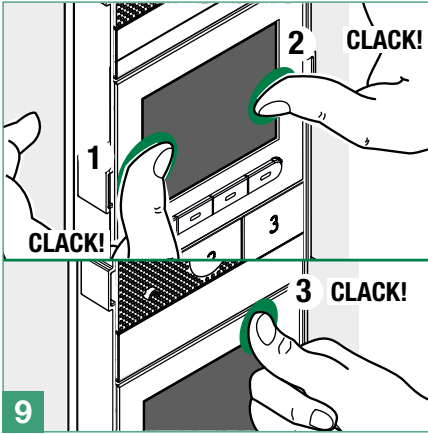
Flush-mounted installation



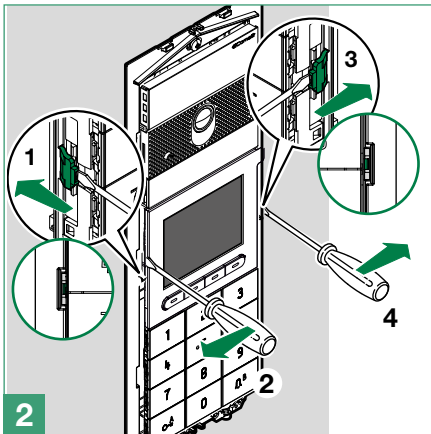
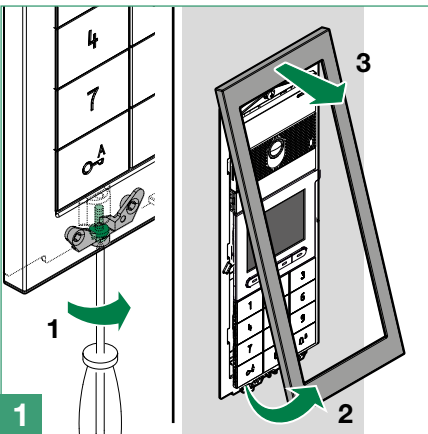


Wall-mounted installation





Module removal

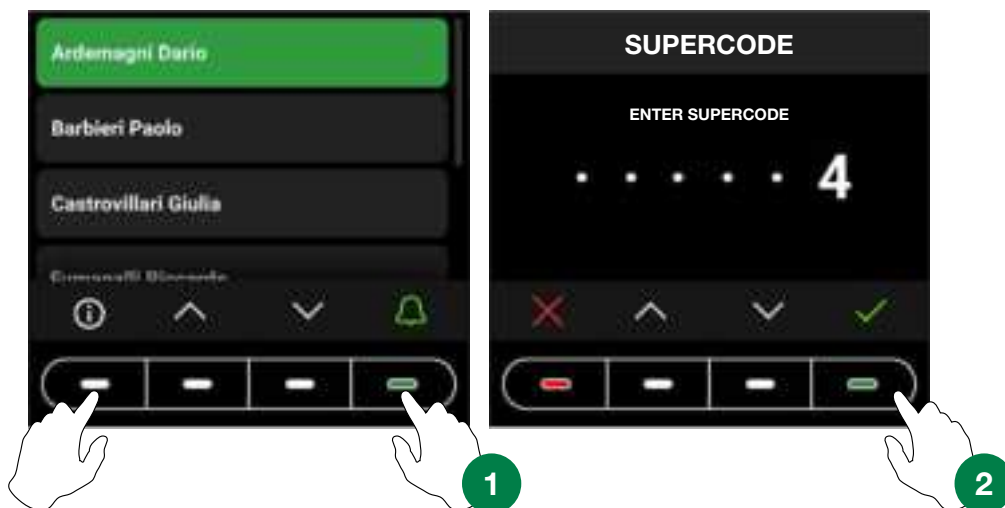


Programming (without number keypad)

There are 2 programming methods:

- I. **Programming via directory module and via My Comelit app** This can be used to perform basic configurations quickly and easily, for device startup (select operating language, adjust contrast and brightness, etc.). The My Comelit app is required to manage users (add, edit and delete user).
- II. **Programming via ViP Manager software (available to download free of charge from the website pro.comelitgroup.com).**
This allows full and customised programming (see ViP Manager programming manual):
 - o Manage users (add, edit and delete user)
 - o Change call layout
 - o Set default or custom screensavers
 - o Set welcome messages
 - o (see page 13)

Programming via directory module and via My Comelit app



To access the settings, press the first key on the left and the last key on the right until the “SUPERCODE” screen appear. You will be asked to enter the Supercode (6 digits, default: **778899**).

1. Press **▼** and **▲** to select the desired digit, then press **✓** to confirm and move on to the next digit or wait one second
2. Press **✗** to return to the previous digit
3. Enter the supercode (default: 778899)
4. Press **✓**

CAUTION: to guarantee security, we recommend changing the supercode.

At each step, press **▼** and **▲** to scroll through the menus/select the desired entry, press **✓** to confirm and move on to the next entry. Press **✗** or **←** to cancel/return to the previous entry.

Select language	<i>Used to set the desired language</i>
Manage Supercode	<i>Used to edit the supercode (default 778899) Once configuration is complete, press ✓ to confirm you wish to save.</i>
Display	<i>Used to adjust the brightness and contrast values for the display Press < and > to adjust the values, then press ✓ to confirm.</i>
Date and time	<i>Used to set the device date and time</i>
Reset	<i>Used to restore the factory-set information</i>
Bluetooth (Rel. 1.1.0 or higher)	<i>Used to enable Bluetooth transmission and to reset the Bluetooth parameters</i>
Key press tone	<i>Used to enable tone playback every time any of the keys are pressed ▶ Choose between Disabled and Enabled (default).</i>
Information	<i>Used to view device information</i>

If the directory is connected to the computer by means of a micro-USB, the following menus will also be available:

System type	<i>Used to select the type of system (only if not connected to an audio or audio-video module). Choose between Simplebus and ViP</i>
Number keypad connected	<i>Used to enable the number keypad and view the corresponding menus</i>

Managing names with the My Comelit app

1. Download the My Comelit app from the relevant store (iOS, Android)
2. Create a new account or use an existing account that has already been created
3. Open the My Comelit app



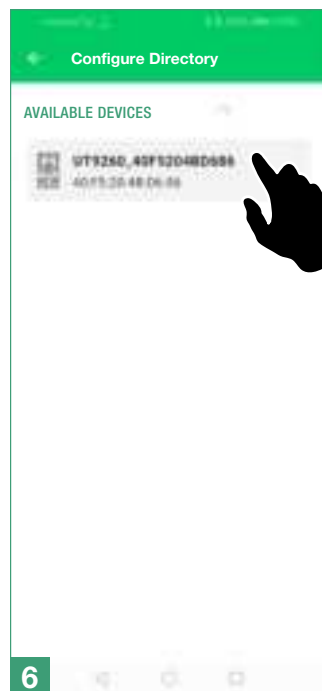
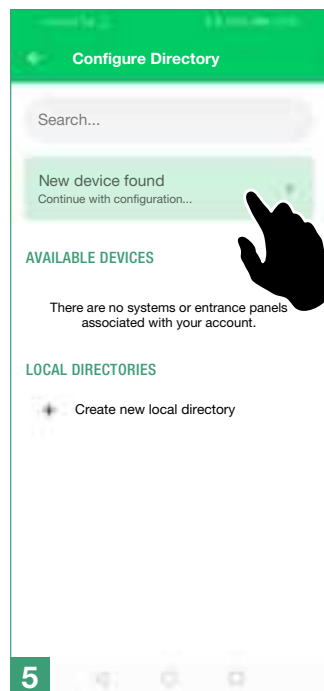
UT9260M - Rel. 1.1.0 or higher

Tap the menu
"Ultra Directory setup"

Wait for the search results and
tap "New device found"

Tap the button for the device
you want to set up

In the box that appears,
enter the code shown on the
Directory display and wait for
the pairing procedure to finish

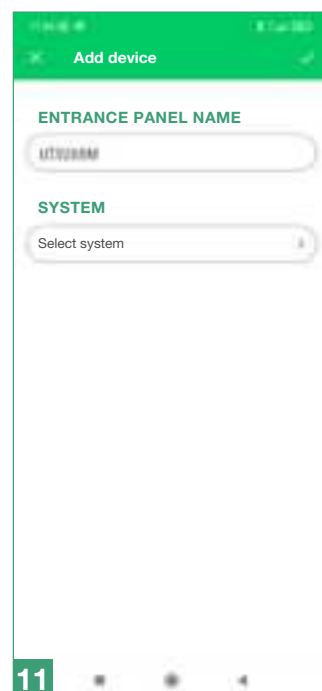
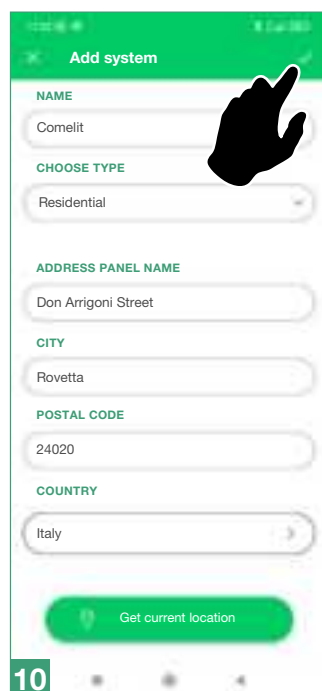
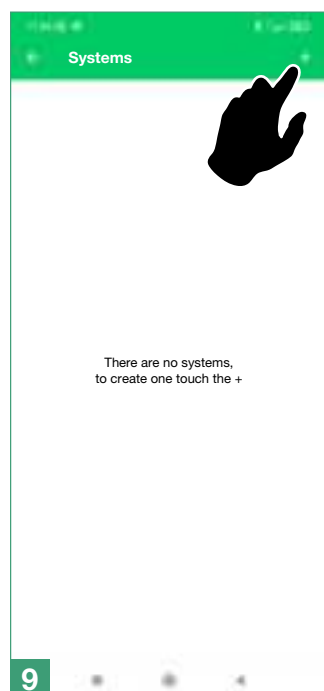
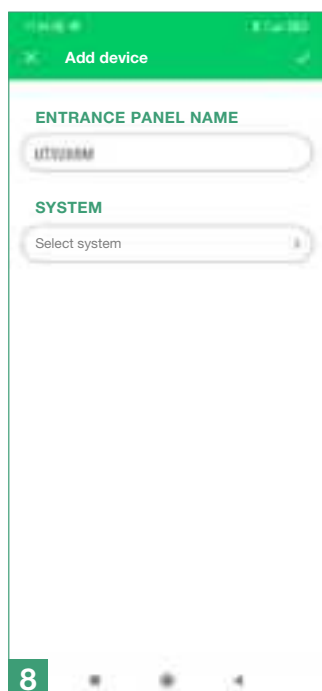


Assign a name to the device

Create a new system


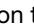

Fill in the fields and confirm

Assign the device to the
system and confirm



Programming (in conjunction with number keypad art. UT9279M)

The settings can be accessed by entering the Supercode directly on the number keypad:

1. Press  on the number keypad
2. Press  on the electronic directory
3. Enter the Supercode using the number keys on the keypad
4. Press  on the electronic directory

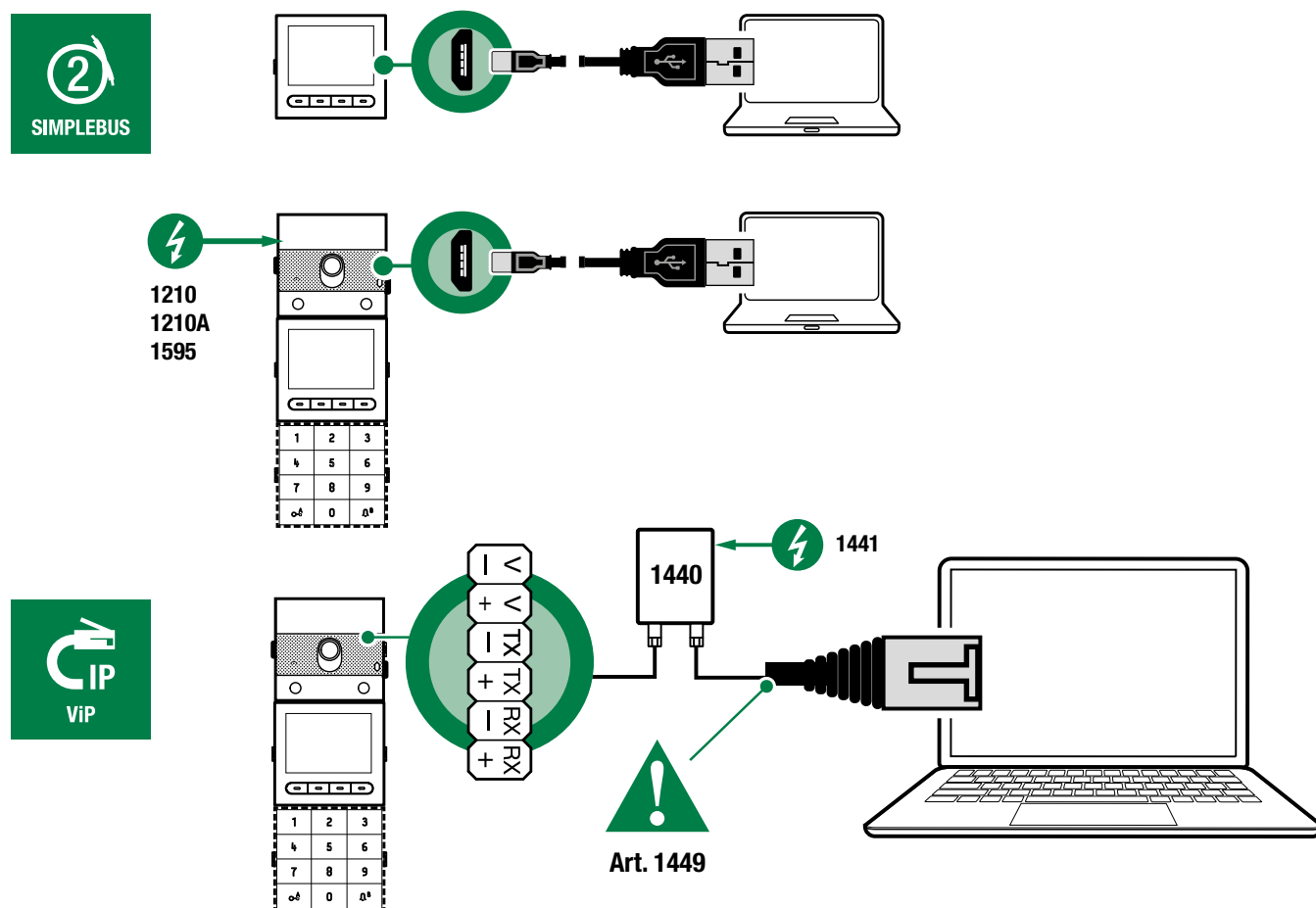
In addition to the menus already shown, the following entries are present:

Number of characters for access codes	<p>Used to select the length of access codes (no. of digits).</p> <ul style="list-style-type: none"> ▶ Choose between 4, 5 (default) and 6 characters.
Access code entry	<p>Used to save the access codes which allow activation of the relays on board the number keypad, the audio or audio-video module outputs and the actuators in the system.</p>
Access code validity (no. of times)	<p>Used to select the validity of access codes.</p> <p>Choose between Always valid (default), 1, 2, 3, 4, 5, 6, 7, 8 and 9 times.</p>
Output activated by access code	<p>Used to select the type of activation paired with the access codes.</p> <ul style="list-style-type: none"> ▶ Choose between Relay 1, Relay 2, Relay 1 and Relay 2, audio or audio/video module SE output (default), Relay for the audio or audio/video module or External Actuator.
External actuator address	<p>If the "External actuator" option has been selected in the "Output activated by access code" menu, this entry can be used to enter its address.</p> <ul style="list-style-type: none"> ▶ Choose between generic actuator (code 255), or codes from 1 to 254.
Delete access code / Delete all access codes	<p>Used to delete saved access codes, either individually or all at once.</p>
Button backlighting brightness	<p>Used to select the brightness value for the key backlighting.</p> <ul style="list-style-type: none"> ▶ Choose a value from 0 to 100 (default 50).
Panic function	<p>Used to activate Relay 2 on the number keypad, to transmit an instant alarm if a user is forced to enter the access code under duress.</p> <ul style="list-style-type: none"> ▶ Choose between Disabled (default) and Enabled.
Panic key	<p>Used to select the Panic key, to be entered after a valid access code, which will activate Relay 2.</p> <ul style="list-style-type: none"> ▶ Choose between 0, 1, 2, 3 (default), 4, 5, 6, 7, 8, 9, A or B.
Maximum number of errors permitted	<p>The keypad locks when the maximum programmed number of incorrect access codes has been entered. You need to wait 15 seconds before you can enter a new code.</p> <ul style="list-style-type: none"> ▶ Choose between 0 (function disabled, default), 1, 2, 3, 4, 5, 6, 7, 8 or 9.
System type	<p>Used to select the type of system (only if not connected to an audio or audio-video module). Choose between Simplebus and ViP.</p>

Wiegand mode	<p>Used to enable usage of an external Wiegand interface for access control management.</p> <ul style="list-style-type: none"> ▶ Choose between Disabled (default) and Enabled.
Key press tone	<p>Used to enable tone playback every time any of the keys are pressed.</p> <ul style="list-style-type: none"> ▶ Choose between Disabled and Enabled (default).
Relay 1 activation time (seconds) / Relay 2 activation time (seconds)	<p>Used to select the relay activation time via the number keypad.</p> <ul style="list-style-type: none"> ▶ Choose between Bistable, 1, 2 (default), ... 99 seconds.
Relay 1 tone activation time (seconds) / Relay 2 tone activation time (seconds)	<p>Used to enable the confirmation tone up on relay activation.</p> <ul style="list-style-type: none"> ▶ Choose a duration between 0 (disabled, default), ... 9 seconds.
Clock input	<p>Allows use of the $\text{C} \rightarrow \text{A}$ key to activate Relay 1 on the number keypad in specific time bands, or to authorise opening via access code only in specific time bands.</p> <ul style="list-style-type: none"> ▶ Choose between Disabled, Enabled (the $\text{C} \rightarrow \text{A}$ key activates Relay 1, default) or Paired with "Relay 2" functions.
Relay 2 functions	<p>If the option "Relay 2 functions" has been selected in the "Clock input" menu, this entry can be used to select the type of activation desired.</p> <ul style="list-style-type: none"> ▶ Choose between Disabled (default) or Enabled (the $\text{C} \rightarrow \text{A}$ key activates Relay 2).
Program universal access code (6 digits)	<p>Used to program the universal access code. The universal access code can be used to gain access all the time, without time band limitations.</p>
Delete universal access code	<p>Used to delete the universal access code.</p>

Programming via ViP Manager software

Connections available for programming via ViP Manager



Programming via ViP Manager software (available to download free of charge from the website pro.comelitgroup.com).

This allows full and customised programming (see ViP Manager programming manual):

- o Manage users (add, edit and delete user)
- o Change call layout
- o Set default or custom screensavers
- o Set welcome messages
- o ...

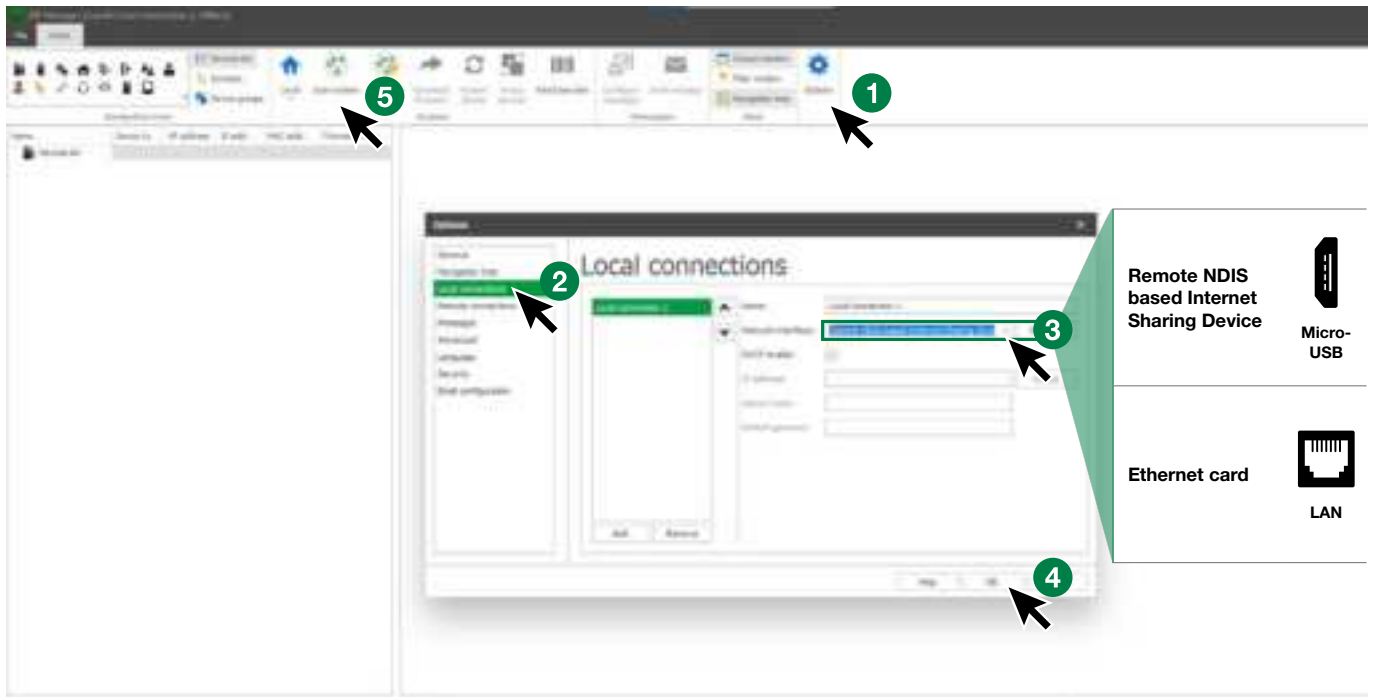
Searching for devices to configure

✓ Connect the electronic directory to the computer and open ViP Manager

In **Options (1)/Local connections (2)** select the **Network interface (3)**.

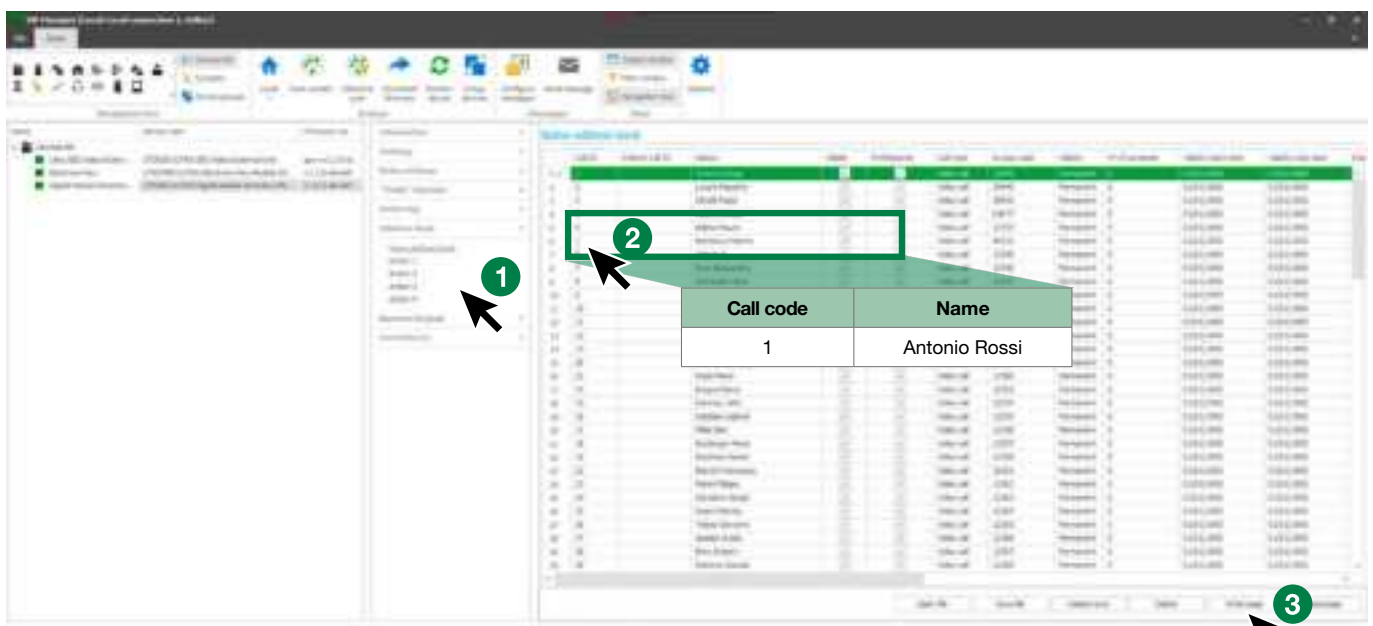
Confirm by clicking **OK (4)**.

Click **Scan system (5)** to start searching for devices.



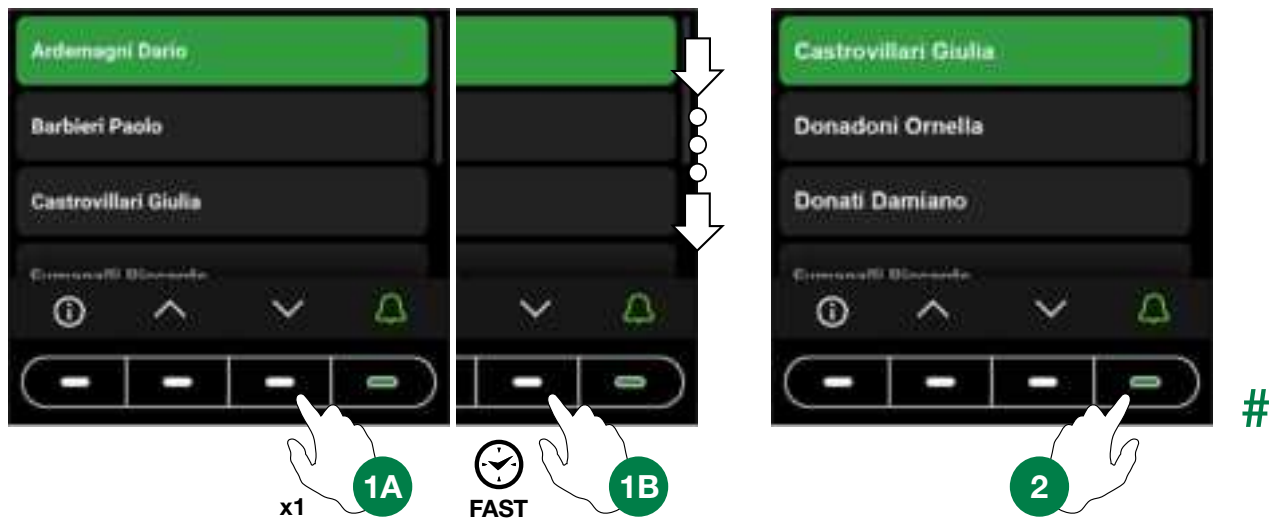
Populating the contacts list

1. Select **Directory/Name directory**
2. Enter the necessary information
3. Press **“Write page”** to send the data to the electronic directory module

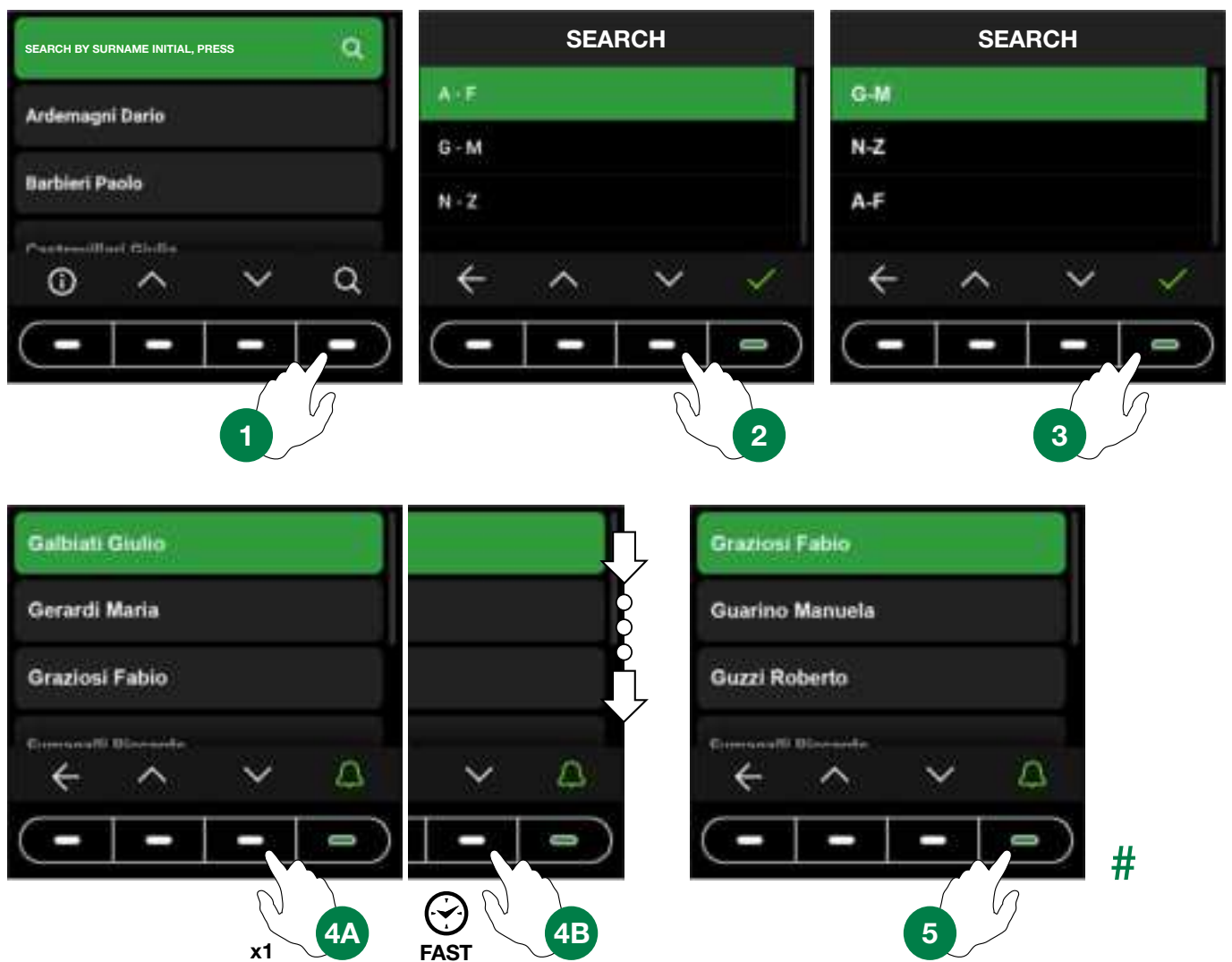


Using the electronic directory

General search



Search by surname initial



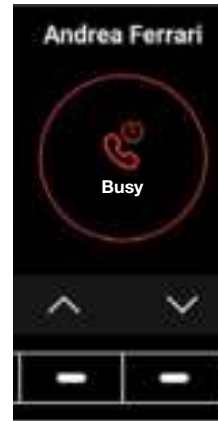
Making a call



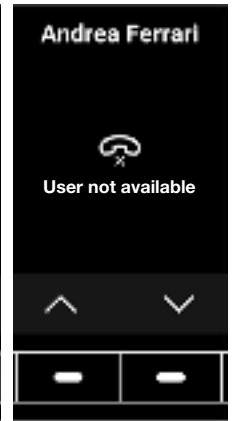
Cancelling a call



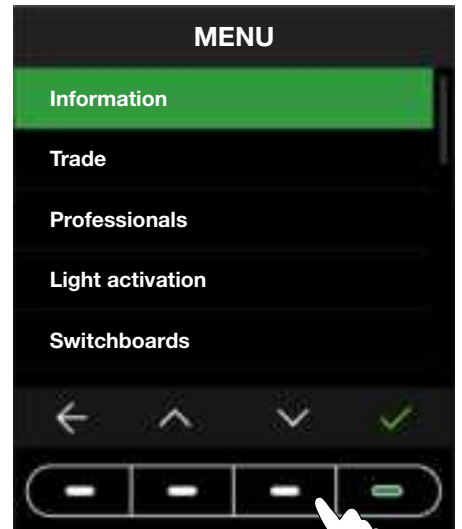
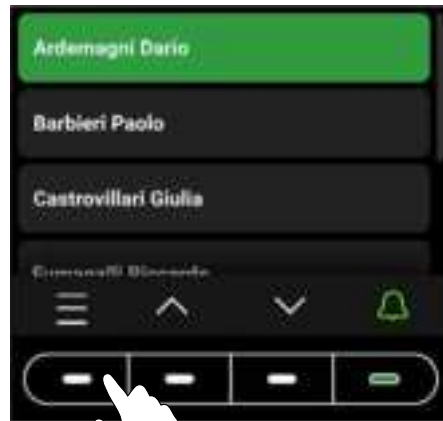
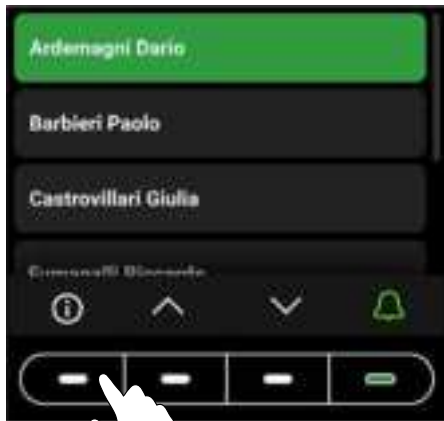
User busy






User not available



Multi-function key




Press  to view information on how to call the user.

It may be that instead of , the multi-function menu key  appears.

Press it to access the available sub-menus (Information, Trade, Professionals, Light activation, Switchboards).

It may also be that only one of the sub-menus described above is available; in this case the corresponding icon will appear.



Information



Select this to view information on how to call the user. Press  to return to the previous screen.

Trade

Select this to trigger the action configured for the set time bands.

Professionals

Select to view the users saved in the directory as “Professional” users (e.g. doctors, accountants, etc.). Press  and 

until the desired user is highlighted, then press  to make the call. Press  to cancel the call. Press and hold one of the scroll keys to speed up the process.

Light activation

Select this to trigger the configured action.

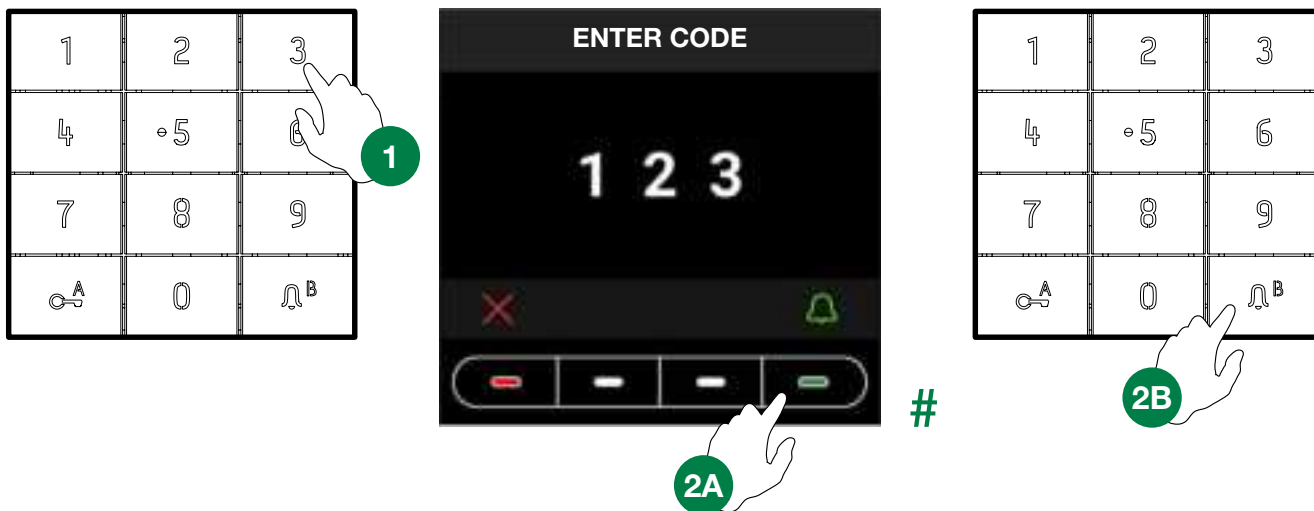
Switchboards

Select this to make a call to the switchboard operator. Up to 2 different calls can be programmed.

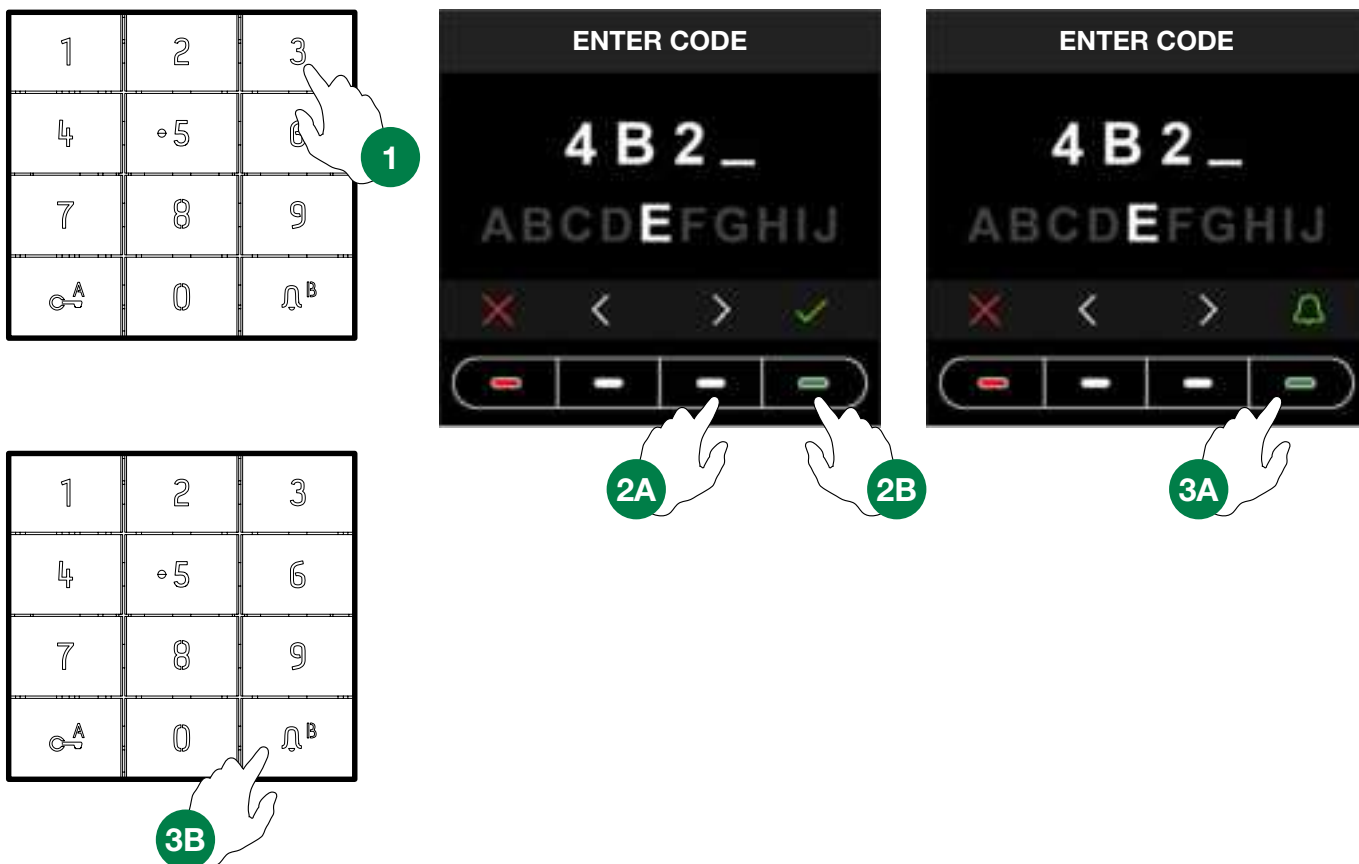
Using the electronic directory in conjunction with number keypad art. UT9279M (Rel. 1.1.0 or higher)

This pairing means that the number keypad (*Rel. 1.1.0 or higher*) can also be used to call the user directly when the code is known and for access control with the activation of on-board relays, audio or audio/video module outputs and system actuators.








Standard call



Indirect/alphanumeric call



Key to icons

#							
Feedback	calling	call in progress	user busy	user not available	door opening in progress	end call	▶ press to cancel the call

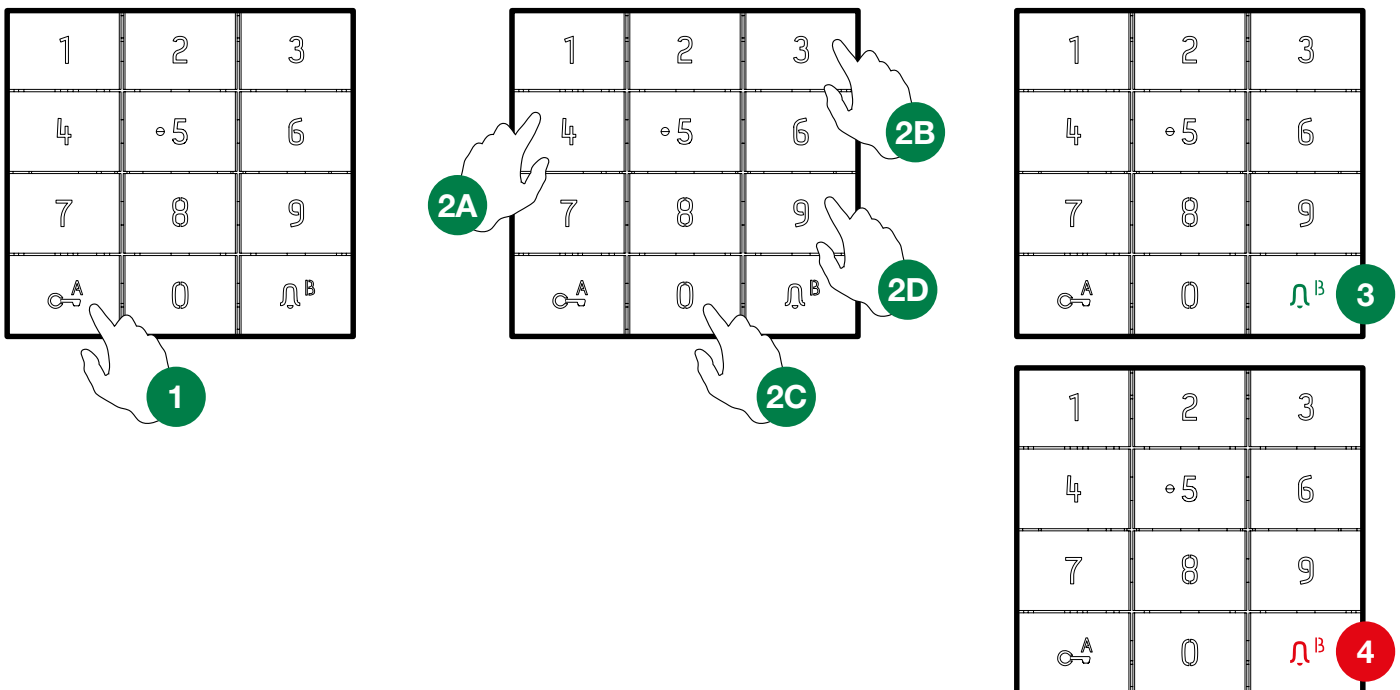
Using access codes

This function is used to activate the relays on board the number keypad, the audio or audio-video module outputs and the actuators in the system.

Press **C^A** on the number keypad and enter the access code.

If the code is correct, the **Λ^B** key lights up in green **3**

If the code is incorrect, the **Λ^B** key lights up in red **4**



CERTIFIED MANAGEMENT SYSTEMS



www.comelitgroup.com

Via Don Arrigoni, 5 - 24020 Rovetta (BG) - Italy

 **Comelit**[®]
Passion. Technology. Design.