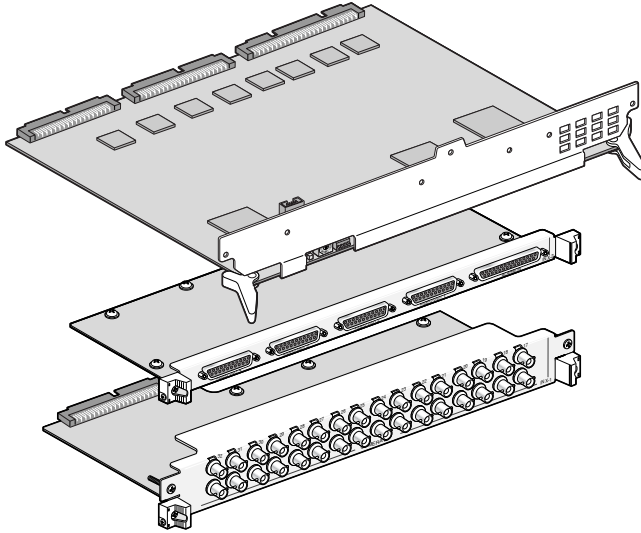


Panasonic

Video Input Board Operating Instructions WJ-PB65C32E

Model No.



Before attempting to connect or operate this product, please read these instructions carefully and save this manual for future use.

PRECAUTIONS

CAUTION: These servicing instructions are for use by qualified service personnel only. To reduce the risk of electric shock do not perform any servicing other than that contained in the operating instructions unless you are qualified to do so.

- **Do not attempt to disassemble the apparatus.**

To prevent electric shock, do not remove screws or covers.

There are no user-serviceable parts inside. Contact qualified service personnel for maintenance.

- **Do not strike or give a strong shock to the unit.**

It may cause damage or allow water to enter the unit.

- **Pay attention to static electricity**

Make certain to keep boards inside the anti-static sack until it is installed.

Put your hand on a metallic surface, other than the boards to discharge static electricity before installation. Do not touch components mounted on the boards directly by hand.

Hold only both edges of the boards when installing.

REFERENCES

Along with this document, refer to Matrix Switcher WJ-SX650 Series Operating Instructions for major operating

controls and their functions, switch settings, and board mounting procedure.

PREFACE

Video Input Board WJ-PB65C32E is designed for camera input channel expansion of Matrix Switcher WJ-SX650 Series.

FEATURES

- With a set of this board, up to 32 cameras can be added.

- Up to 32 alarm input signals can be supplied from alarm sensors connected to the ALARM IN port.

SPECIFICATIONS

Camera Input (CAMERA IN 1 to 32):	1 V [P-P]/75 Ω (BNC x 32), composite video signal 0.5 V [P-P]/75 Ω data signal and 2.5 V [P-P]/75 Ω vertical timing pulse multiplexed
Video Output (VIDEO OUT 1 to 4):	1 V [P-P]/75 Ω (25-pin D-sub connector x 4)*, active loop-thru output
Alarm Input (ALARM IN):	N.O. (Normally Open contact) or N.C. (Normally Close contact) selectable x 32 (37-pin D-sub connector)
Dimensions	
Main Board:	338 mm (W) X 47 mm (H) X 236 mm (D) {13-3/10" (W) X 1-9/10" (H) X 9-3/10" (D)}
IN X-2 Board:	355 mm (W) X 21 mm (H) X 117 mm (D) {14" (W) X 4/5" (H) X 4-3/5" (D)}
IN X-1 Board:	355 mm (W) X 38 mm (H) X 134 mm (D) {14" (W) X 1-1/2" (H) X 5-3/10" (D)}

* When this unit is powered off, this signal will not be output even with the acceptance of video input signal.

STANDARD ACCESSORIES

Operating Instructions (This Document)	1 pc.
Screws	7 pcs.
Fixing bracket	2 pcs.

Information on Disposal for Users of Waste Electrical & Electronic Equipment (private households)



This symbol on the products and/or accompanying documents means that used electrical and electronic products should not be mixed with general household waste.

For proper treatment, recovery and recycling, please take these products to designated collection points, where they will be accepted on a free of charge basis. Alternatively, in some countries you may be able to return your products to your local retailer upon the purchase of an equivalent new product.

Disposing of this product correctly will help to save valuable resources and prevent any potential negative effects on human health and the environment which could otherwise arise from inappropriate waste handling. Please contact your local authority

for further details of your nearest designated collection point.

Penalties may be applicable for incorrect disposal of this waste, in accordance with national legislation.

For business users in the European Union

If you wish to discard electrical and electronic equipment, please contact your dealer or supplier for further information.

Information on Disposal in other Countries outside the European Union

This symbol is only valid in the European Union.

If you wish to discard this product, please contact your local authorities or dealer and ask for the correct method of disposal.

Matsushita Electric Industrial Co., Ltd.

Osaka, Japan

<http://www.panasonic.co.jp/global/>