



WV-CF364



WV-CF334



Minimum illumination (Color):  
0.6 lx



Minimum illumination (B/W):  
0.05 lx (WV-CF364)

Automatic switching  
Color/Black&White



## Smart look Day/Night Fixed Dome Camera with 1/3 type CCD

### Key Features

- High resolution: 540 TV lines
- High sensitivity with Simple Day/Night function (WV-CF334)
  - : 0.6 lx (Color)
  - : 0.4 lx (B/W)
- High sensitivity with True Day/Night function (WV-CF364)
  - : 0.6 lx (Color)
  - : 0.05 lx (B/W)
- ABS (Adaptive Black Stretch) enhances visibility of dark area without degrading image quality in bright area.
- Various adjustment features including BLC (Back Light Compensation), ATW (Auto Tracing White Balance) and ALC (Automatic Light Control)
- 2 White Balance modes are selectable with Dip Switch: ATW (Auto Tracing White Balance) / AWC (Automatic White Balance Control)
- 2.8 ~ 10 mm 3.6x Varifocal Auto Iris lens
- Internal/Multiplexed Vertical Drive (VD2) synchronization
- Monitor output for easier lens adjustment upon installation
- 3-way hinge (horizontal, vertical and swivel rotation) for easy installation

- Various mounting options: Surface mount, Embedded mount (with optional WV-Q168), Mounting to a junction box (locally obtained)
- Smart look fits for various applications such as shopping mall, hotels and hospitals.

### Standard Accessories

- Operating Instructions ..... 1 pc.
- CD-ROM (including Operating Instructions) ... 1 pc.

### Optional Accessories

Embedded Ceiling Mount Bracket  
WV-Q168



Smoke Dome Cover  
WV-CF55

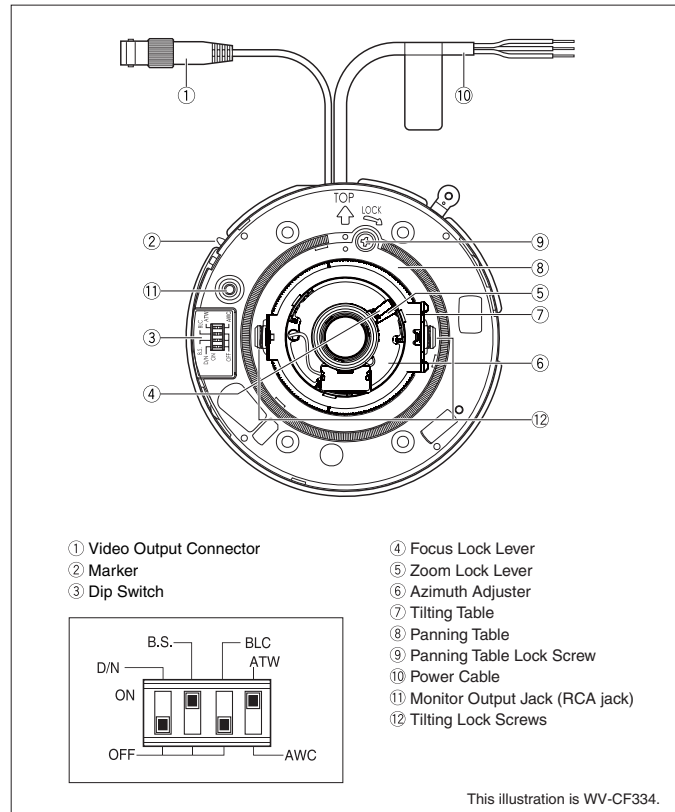


## Specifications

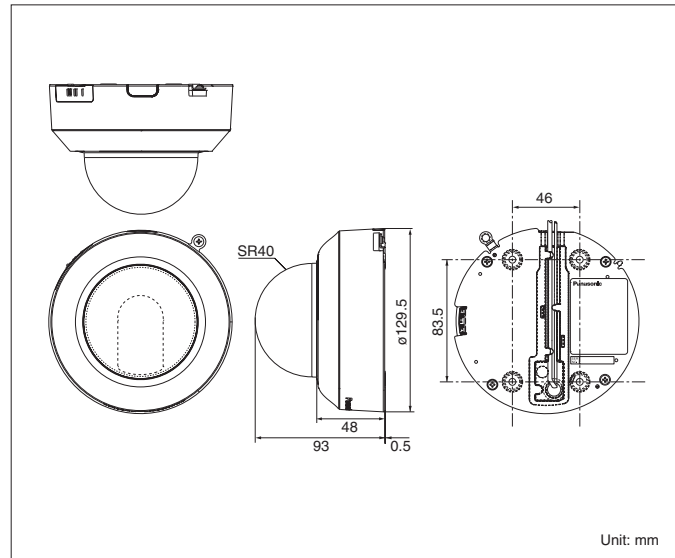
<b>Model No.</b>	WV-CF334	WV-CF364
<b>TV System</b>	PAL	
<b>Camera</b>	Image Sensor 1/3 type interline transfer CCD Effective Pixels 752 (H) x 582 (V) Scanning Mode 2:1 interlace scan Scanning Area 4.9 (H) x 3.7 (V) mm Scanning Frequency Horizontal: 15.625 kHz Vertical: 50 Hz Scanning Line 625 lines Horizontal Resolution 540 TV lines (V: 400 TV lines) Minimum Illumination (at Wide (F1.3)) Color: 0.6 lx B/W: 0.4 lx at Wide Color: 0.6 lx B/W: 0.05 lx at Wide Signal-to-Noise Ratio 50 dB (equivalent to AGC Off, Weight on) White Balance ATW / AWC Light Control ALC AGC Always ON Back Light Compensation ON / OFF Adaptive Black Stretch ON / OFF Black and White Mode*1 ON (AUTO) / OFF (No IR filter moving) ON (AUTO) / OFF (IR filter moving) Back Focus Adjustment Manual Synchronization Internal (INT), Multiplexed Vertical Drive (VD2)	
<b>Lens</b>	Focal Length 2.8 mm ~ 10.0 mm Angular Field of View H: 100.2° (Wide) ~ 27.4° (Tele) V: 73.3° (Wide) ~ 20.5° (Tele) Maximum Aperture Ratio 1:1.3 (Wide) 1:3.1 (Tele) Focusing Range 1.2 m (3.9 ft.) ~ ∞	
<b>Pan and Tilt</b>	Panning range +180° ~ -140° Tilting Range ±75°, Image tilt adjustment range: ±110°	
<b>Input/ Output</b>	Video Output 1.0 V [p-p] / PAL composite 75 Ω / BNC Connector Multiplexed VD2 capable Monitor Output 1.0 V [p-p] / 75 Ω / PAL composite signal / ø3.5 mm RCA jack	
<b>General</b>	Setup Method Dip Switch Safety/EMC Standard CE (EN60065, EN55022 ClassB, EN55024), GOST (R 51558) Power Source and Power Consumption 12 V DC, 220 mA 24 V AC 50 Hz, 2.7 W Ambient Operating Temperature -10 °C ~ +50 °C Ambient Operating Humidity 90% or less (without condensation) Dimensions ø129.5 mm x 93 mm (H) Mass (approx.) 430 g	

\*1 Factory default setting is 'off'. To select this mode, turn on the Dip Switch mode.

## Part Names and Functions



## Appearance



### Important

– Safety Precaution: carefully read the operating instructions and installation manual before using this product.

DISTRIBUTED BY:

- All TV pictures are simulated.
- Masses and dimensions are approximate.
- Specifications are subject to change without notice.
- These products may be subject to export control regulations.
- All product pictures are PAL models.

**Panasonic**<sup>®</sup>

<http://panasonic.net/security/>

Printed in Japan (2A-053DA)