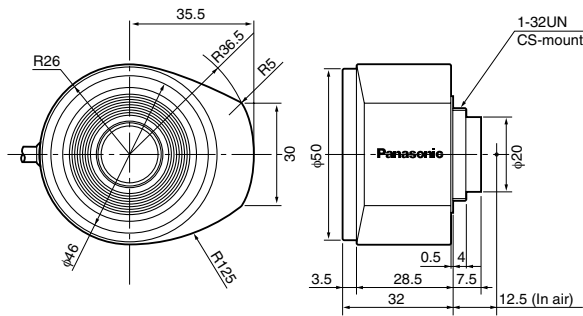


1/3-type Automatic Iris Lenses

(For 1/3-type Cameras)

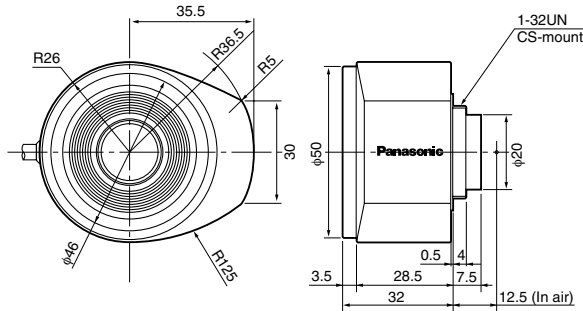
Unit = mm

WV-LA2R8C3B



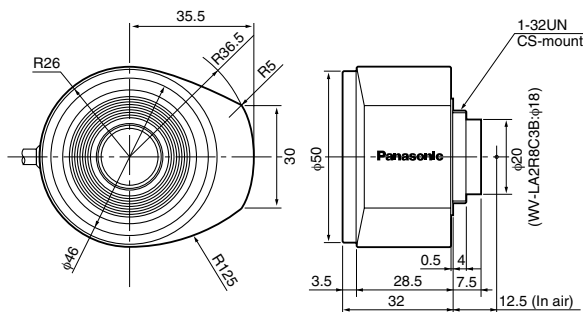
Focal Length	2.8 mm	Minimum Object Distance	Determined by Camera
Aperture Ratio	F1.3 to F176, close	Optical Filter Size	None
Image Size	4.8(H) x 3.6(V) mm (equivalent to 1/3")	Mount	Special C-Mount (CS-Mount, 1-32UN)
Angular Field of View	H 88.6° V 68.6°	Weight	45 g
Iris Type	Automatic	Dimensions (W x H x D)	ø52 x 31.8 mm

WV-LA4R5C3B



Focal Length	4.5 mm	Minimum Object Distance	Determined by Camera
Aperture Ratio	F1.2 to F176, close	Optical Filter Size	None
Image Size	4.8(H) x 3.6(V) mm (equivalent to 1/3")	Mount	Special C-Mount (CS-Mount, 1-32UN)
Angular Field of View	H 58.7° V 44.2°	Weight	45 g
Iris Type	Automatic	Dimensions (W x H x D)	ø52 x 31.8 mm

WV-LA9C3B



Focal Length	9 mm	Minimum Object Distance	Determined by Camera
Aperture Ratio	F1.2 to F176, close	Optical Filter Size	None
Image Size	4.8(H) x 3.6(V) mm (equivalent to 1/3")	Mount	Special C-Mount (CS-Mount, 1-32UN)
Angular Field of View	H 30.1° V 22.5°	Weight	40 g
Iris Type	Automatic	Dimensions (W x H x D)	ø52 x 31.8 mm

Unit = mm

Unit = mm